

Product information sheet SUPRA 500-U

Item no. 518205

Benefits



- Wide programme with various combination options
- Practical accessory optional available

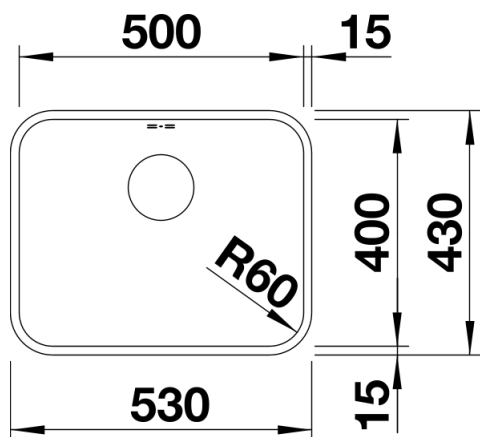
Planning information

- Note: Please order drain connections for combinations of two individual bowls separately.

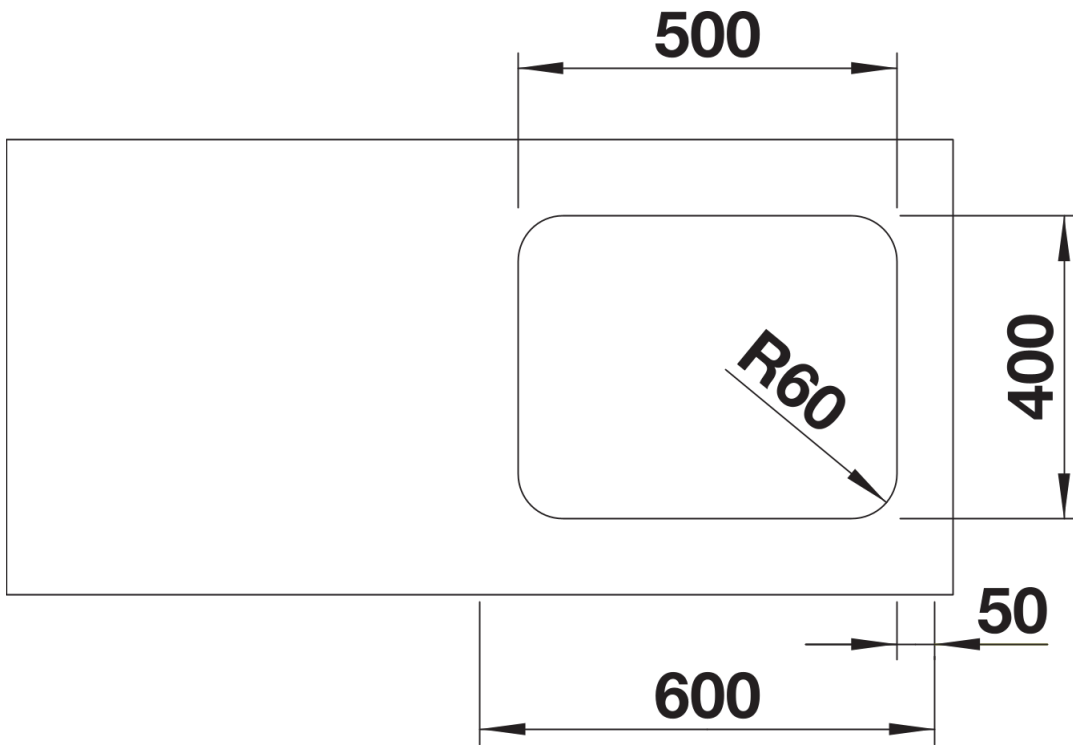
Scope of supply

- waste kit with space-saving pipe
- 3 ½" basket strainer
- fixing kit

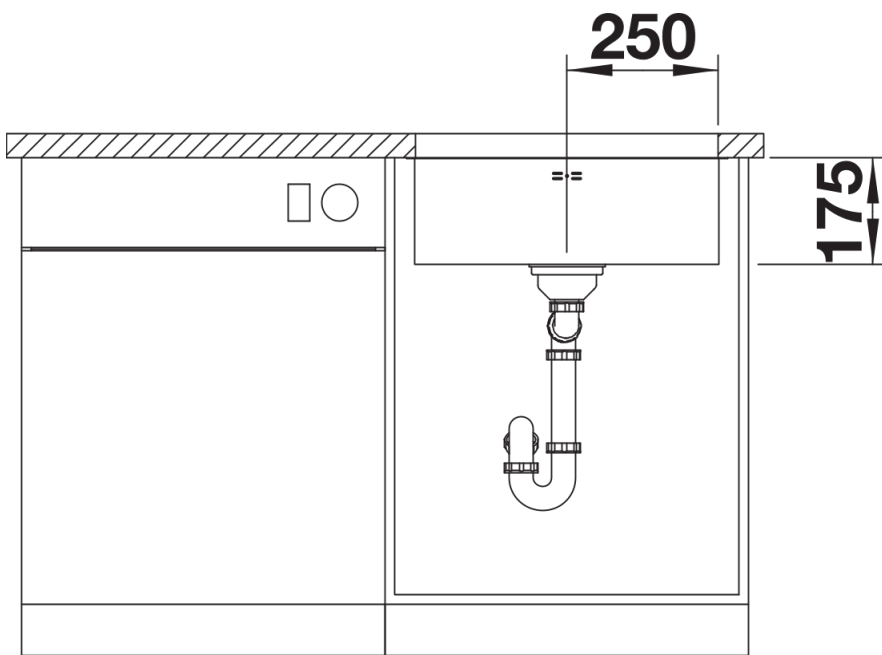
Details



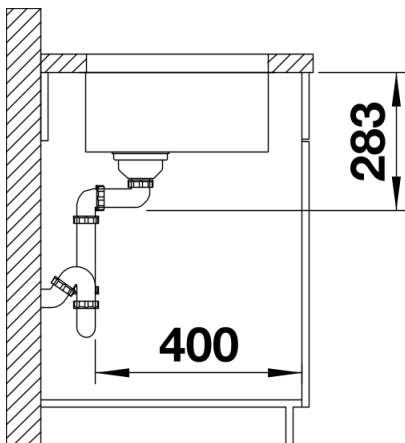
Top view



Cut-out



Front view



Side view